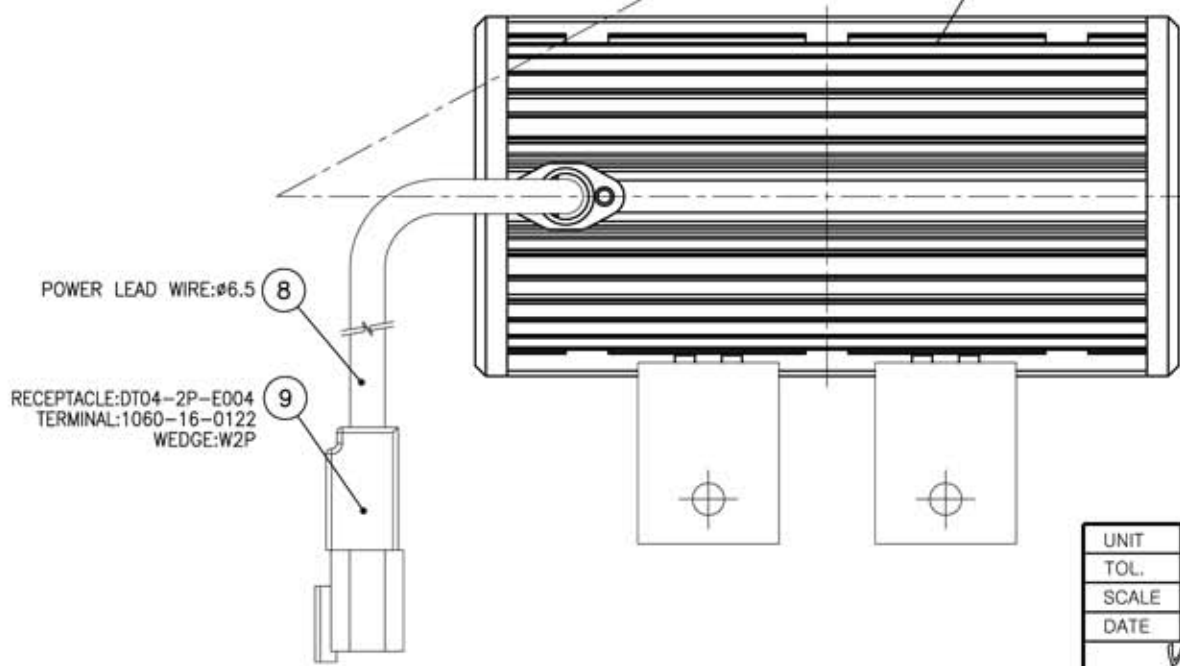


[SPECIFICATION]

- 1. OPERATING VOLTAGE : DC 10V ~ 48V
- 2. WATTAGE: DC12V/1.2A/14.6W (2LED)
- 3. LED : 10W (SEOUL SEMICONDUCTOR)
- 4. LENS : ACRYLIC
- 5. VIBRATION : 8.6 (Grms)
- 6. WEATHER PROOF & DUST RESISTANCE
- 7. TEMPERATURE : -40 °C ~ 80°C
- 8. LIFE : 50,000 (Hr)
- 9. IP RATING : IP68



NO.	LED Q'TY	X" (inch/mm)	WEIGHTS (Kg)	BRACKET (PCS)	WATTAGE (W)	LUMEN (LM)	AMPERAGE (A)	REMARKS
1	2LED	5.2" (132)	0.75	2	14.6	1,108	1.2	
2	4LED	8.7" (222)	1.05		29.2	2,216	2.4	
3	6LED	12.3" (312)	1.4		43.8	3,324	3.7	
4	8LED	15.8" (402)			58.4	4,432	4.9	
5	10LED	19.4" (492)	2.05	3	73.0	5,540	6.1	
6	12LED	22.9" (582)			87.6	6,648	7.3	
7	14LED	26.5" (672)			102.2	7,756	8.5	
8	16LED	30.0" (762)			116.8	8,864	9.7	
9	18LED	33.5" (852)			131.4	9,972	11.0	
10	20LED	37.1" (942)			146.0	11,080	12.2	
11	22LED	40.6" (1,032)		4	160.6	12,188	13.4	
12	24LED	44.2" (1,122)			175.2	13,296	14.6	
13	26LED	47.7" (1,212)			189.8	14,404	15.8	
14	28LED	51.3" (1,302)	5.0		204.4	15,512	17.0	

UNIT	mm	DRAWING	CHECK	APPROVAL	TITLE	REFLEX BAR EXTERNAL VIEW
TOL.	-	C.D.KIM				
SCALE	1:1	DATE	2010.07.29	2010.07.30	DRAWING NO.	VX-BD-0000-0